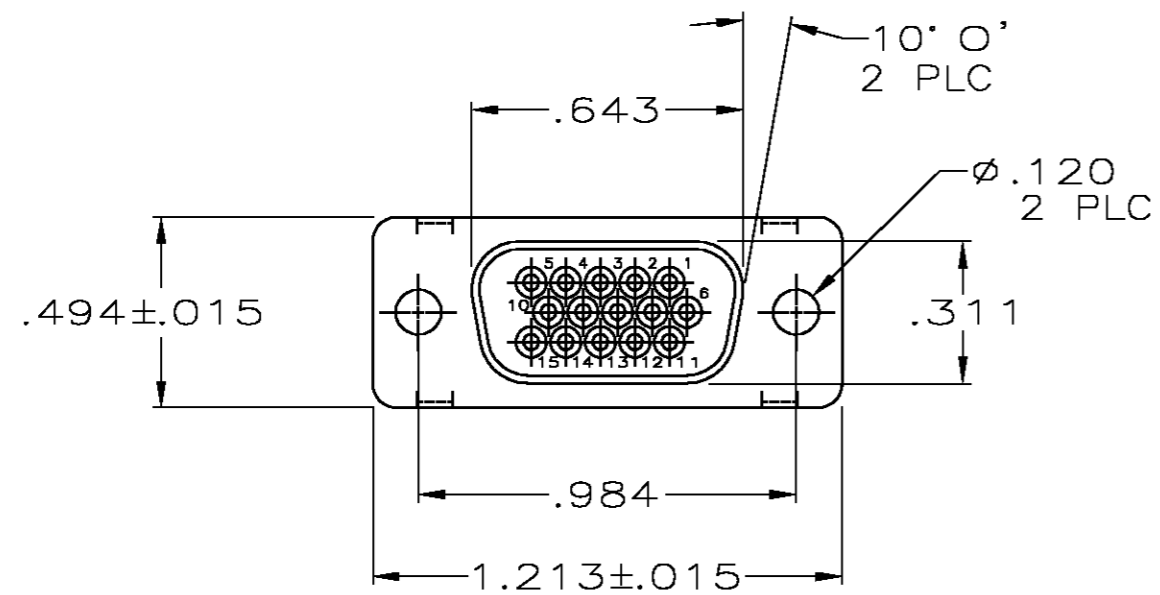
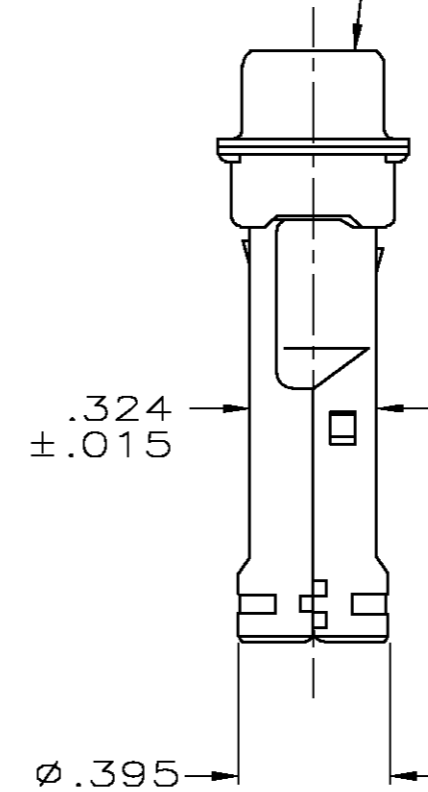
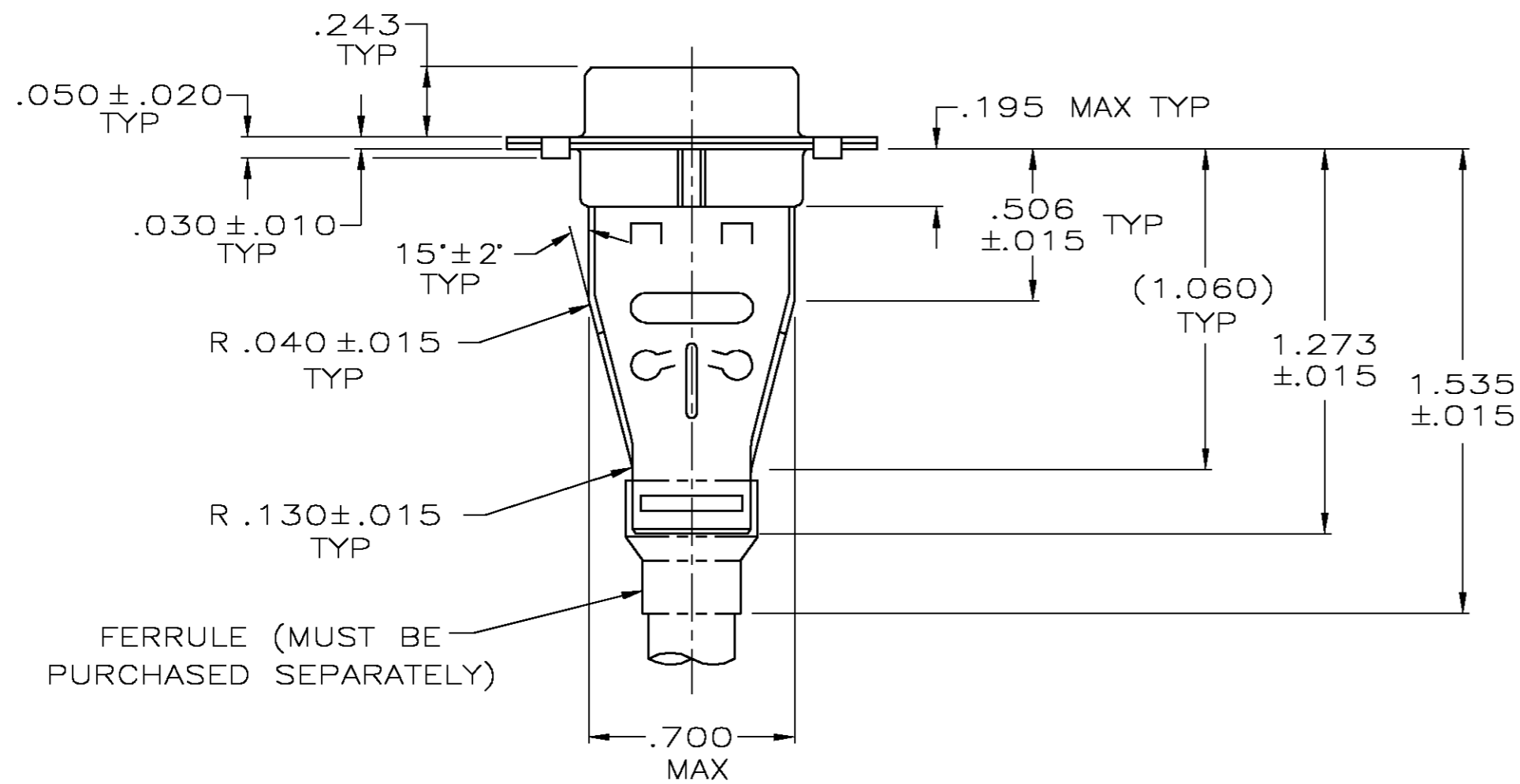


THIS DRAWING IS UNPUBLISHED. RELEASED FOR PUBLICATION
 © COPYRIGHT BY TYCO ELECTRONICS CORPORATION. ALL RIGHTS RESERVED.

LOC	DIST	REVISIONS			
P	LTR	DESCRIPTION	DATE	DWN	APVD
GP	00	0	RELEASED PER EC 0S13-0257-04	11-11-04	GA JG



RECEPTACLE CONNECTOR



- RECEPTACLE ACCEPTS SIZE 22 SOCKET CONTACTS (CONTACTS ORDERED SEPARATELY)
- ALL PARTS SHIPPED UNASSEMBLED, EACH PART INDIVIDUALLY BULK PACKED.
- HOUSING: FLAME RETARDANT 94V-0 RATED, GLASS FILLED NYLON, BLACK.
- SHELLS & SHIELDS: STEEL PER ASTM A109
- SHELLS & SHIELDS: .000200 MIN TIN PLATE OVER .000100 MIN COPPER UNDERPLATE.

5748634-1
 PART NUMBER

THIS DRAWING IS A CONTROLLED DOCUMENT.		DWN 11-11-04 G. ATTADIA - DOCK5	Tyco Electronics Corporation Harrisburg, PA 17105-3608													
DIMENSIONS: INCHES		CHK 11-11-04 J. GERACE	NAME													
TOLERANCES UNLESS OTHERWISE SPECIFIED:		APVD 11-11-04 M. WALMSLEY	KIT, RCPT, SHIELDING HARDWARE, SIZE 1, 15 POSN, HDP-22, AMPLIMITE													
<table border="1"> <tr><td>0 PLC</td><td>± -</td></tr> <tr><td>1 PLC</td><td>± -</td></tr> <tr><td>2 PLC</td><td>± -</td></tr> <tr><td>3 PLC</td><td>± .005</td></tr> <tr><td>4 PLC</td><td>± -</td></tr> <tr><td>ANGLES</td><td>± 0° 30'</td></tr> </table>		0 PLC	± -	1 PLC	± -	2 PLC	± -	3 PLC	± .005	4 PLC	± -	ANGLES	± 0° 30'	PRODUCT SPEC 108-1268	SIZE A2	RESTRICTED TO -
0 PLC	± -															
1 PLC	± -															
2 PLC	± -															
3 PLC	± .005															
4 PLC	± -															
ANGLES	± 0° 30'															
MATERIAL		APPLICATION SPEC 114-10001	CAGE CODE 00779	DRAWING NO C=5748634												
FINISH		WEIGHT -	SCALE 2:1	SHEET 1 OF 1												
		CUSTOMER DRAWING	REV 0													